

Journey™

Seating Capacity	4 Adults
Dimensions	78" Diameter x 35", (198 cm Diameter x 89 cm)
Dry Weight	500 lbs (227 kg)
Filled Weight (Average Fill)	2,500 lbs (1,136 kg)
Water Capacity (Average Fill)	240 US gallons (910 Liters)
Shipping Weight	500 lbs (227 kg)
Export Shipping Weight:	550 lbs (250 kg)
Electronic Controls	Programmable digital panel with LED readout
Pump 1	North America (60 Hz): 2-Speed, 2.5 HP break, 1.5 HP continuous, 48 Frame
Export (50 Hz):	2-Speed, 2.0 HP continuous
Circulation Pump	Optional with ClearZone® Pro package
Filtration (factory default)	2 Cycles for a total of 2 hours
Heater	1.0kW/4.0 kW
Export (50Hz)	2.0 kW
Total @Home Jets	20
Seat 1 Jets	3 Mini Storm Rotator, 1 Turbo Jet (sidewall)
Seat 2 Jets	4 Cluster Storm Rifled, 4 Cluster Storm Directional
Seat 3 Jets	3 Poly Storm Rifled
Seat 4 Jets	3 Mini Storm Directional
Footwell (5)	2 Mini Storm Directional
Massage Selectors	None
Special Features	Tactile Therapy
Water Management System	One 75 ft ² filter cartridge; 8" Weir
Optional	ClearZone® Pro Water Purification System
LED Lighting	One multi Color LED footwell light
Optional	Crystal FX™
Terracina™ Cabinet Colors	Driftwood, Vintage Cedar, Midnight Maple
Acrylic Colors	Moonstone, UltraLife, Sunstone, Smoked Marble, UltraLife Gray, Desert Stone
Headrests	None
Water Feature	None
Electrical Requirements:	North America (60 Hz): 120V@15A or 240 VAC@30A or 40A Export (50 Hz): 230 VAC@1x16A, 1x32A, 2x16A, 3x16A or suitably rated circuit breaker to comply with local electrical codes. Certain countries may require dual power inputs
Warranty*	North America (60 Hz): Lifetime for UltraLife Shell Surface, 5 Years Acrylic Shell Surface, 3 Years Plumbing, 3 Years Equipment and Controls, 7 Years Cabinet, 1 Year Water Purification System, 2 Years for Jet Insert, 1 Year for Jet Escutcheon, 1 Year Lights; Export (50 Hz): 10 Years for UltraLife Shell Surface, 5 Years Acrylic Shell Surface, 2 Years Plumbing, 2 Years Equipment and Controls, 2 Years Cabinet, 1 Year Water Purification System, 2 Years for Jet Insert, 1 Year for Jet Escutcheon, 1 Year Lights

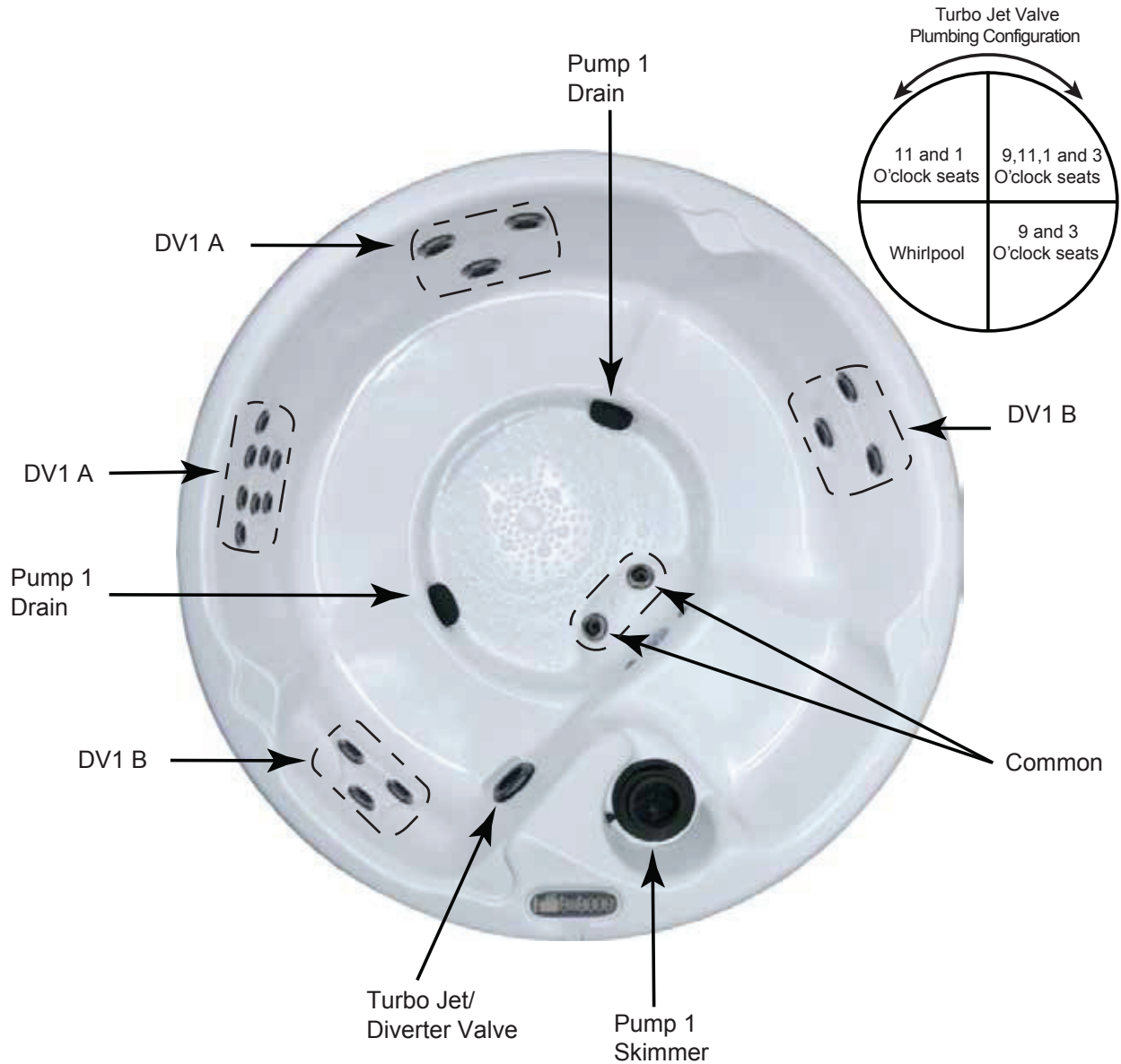


**Optional
escutcheon jets**

*(See Warranty Document for Specific Details)

Journey

Massage Selector Diagram



Seat Depths

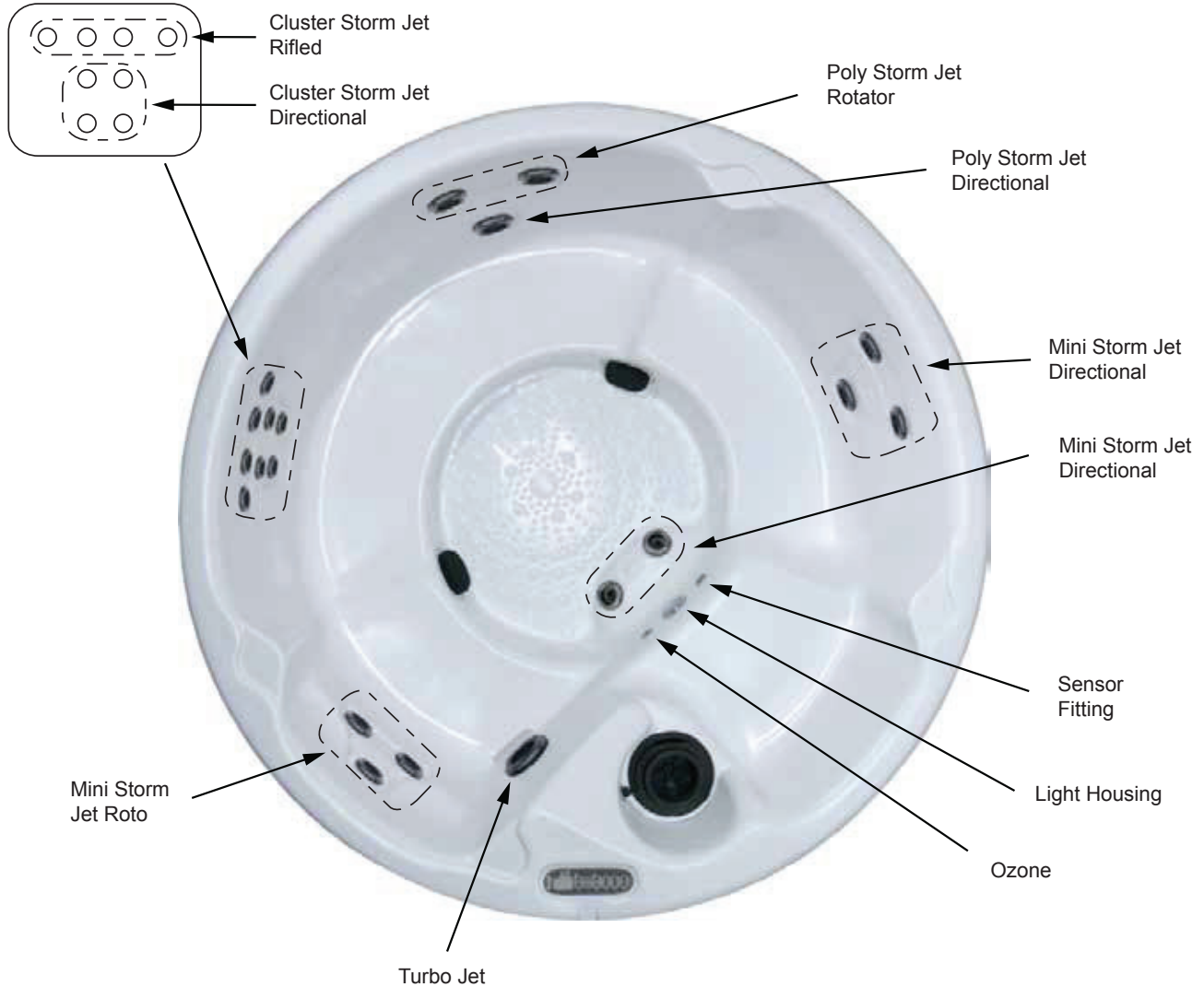
- 1 = 25.50" (64.77 cm)
- 2 = 27.50" (69.85 cm)
- 3 = 27.50" (69.85 cm)
- 4 = 25.00" (63.50 cm)
- 5 = 16.00" (40.64 cm)
- 6 = 31.00" (78.74 cm)

Listed dimensions represent distance from top of acrylic to lowest point in seat. Tolerance $\pm 0.5"$ (1.27 cm).



Journey

Jet Designation



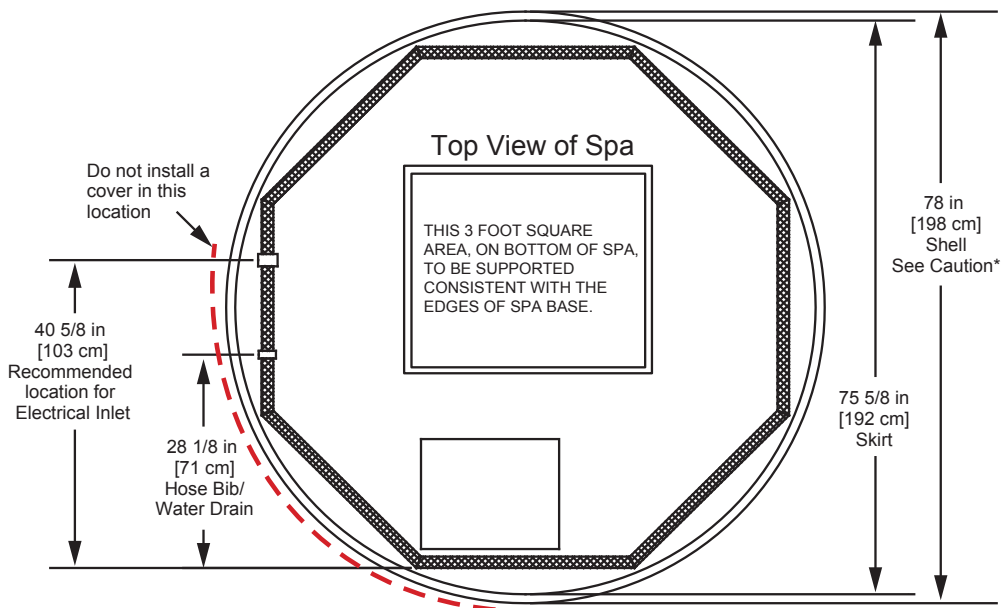
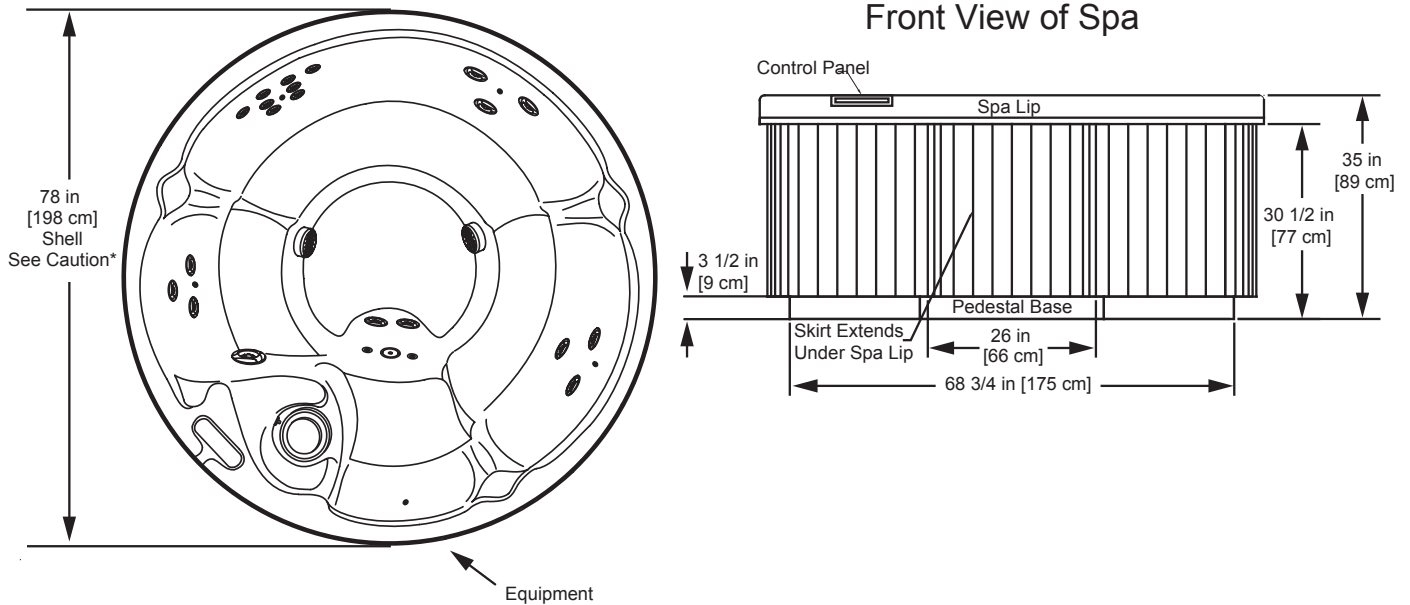
Dimensions/Operation/Specifications are Subject to Change Without Notice

20 Total Jets (textured)



Total Jets

Journey



Note:

1. Subject to change without notice.
2. Engineering specs may differ slightly from brochure.
3. For E-Z lifter installation allow 18" (45.7cm) clearance on the backside of the spa.
4. Alternative cabinets may add significant weight. Ask your dealer for exact details.



***Caution:**

Due to manufacturing tolerances there could be some minor differences between the actual spa and the drawing above. **If site planning is critical to such tolerances, be sure to measure your actual spa.**

Dimensions/Specifications are Subject to Change Without Notice (Tolerance ± 0.5" [1.27 cm]).